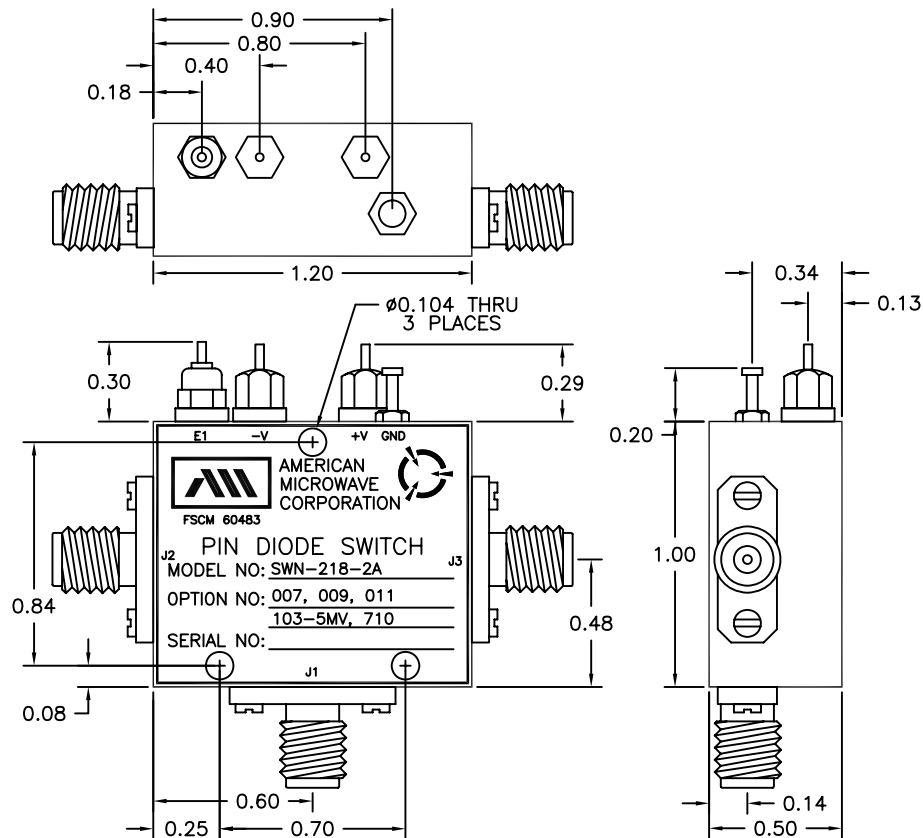


# DESCRIPTION

AMC MODEL SWN-218-2A OPTION 007, 009, 011, 710, 103-5MV IS A SPDT ABSORPTIVE (NON-REFLECTIVE) PIN DIODE SWITCH DESIGNED FOR THE 7 TO 10 GHz FREQUENCY RANGE WITH 3.5 DB INSERTION LOSS AND WITH VIDEO TRANSIENTS OF 5 MV PEAK TO PEAK.

## MECHANICAL OUTLINE



REVISIONS				
ZONE	REV.	DESCRIPTION	DATE	APPROVED
	-	ORIGINAL RELEASE JOB# 605096	12/19/06	

### AMERICAN MICROWAVE CORPORATION

7311-G GROVE ROAD  
 FREDERICK, MARYLAND 21704 USA  
 TEL: 301-662-4700 FAX: 301-662-4938  
 WEBSITE: [www.americanmicrowavecorp.com](http://www.americanmicrowavecorp.com)  
 E-MAIL: [sales@americanmicrowavecorp.com](mailto:sales@americanmicrowavecorp.com)  
 ISO 9001:2000 CERTIFIED



ALL DIMENSIONS ARE IN INCHES  
 TOLERANCES:  
 X.XX ±0.020  
 X.XXX ±0.010

APPROVALS		DATE	TITLE		
DRAWN <i>WJL</i>		12/19/06	MECHANICAL OUTLINE SWN-218-2A		
REDRAWN <i>RA</i>		12/19/06	OPTIONS: 007, 009, 011, 710, 103-5MV 7 TO 10 GHz SINGLE POLE TWO THROW SWITCH		
ISSUED			SIZE A	FSCM NO. 60483	DWG NO. 100-7734-000
			SCALE N:S	SHEET 2 OF 4	

REVISIONS				
ZONE	REV.	DESCRIPTION	DATE	APPROVED
	-	ORIGINAL RELEASE JOB# 605096	12/19/06	

### DESCRIPTION

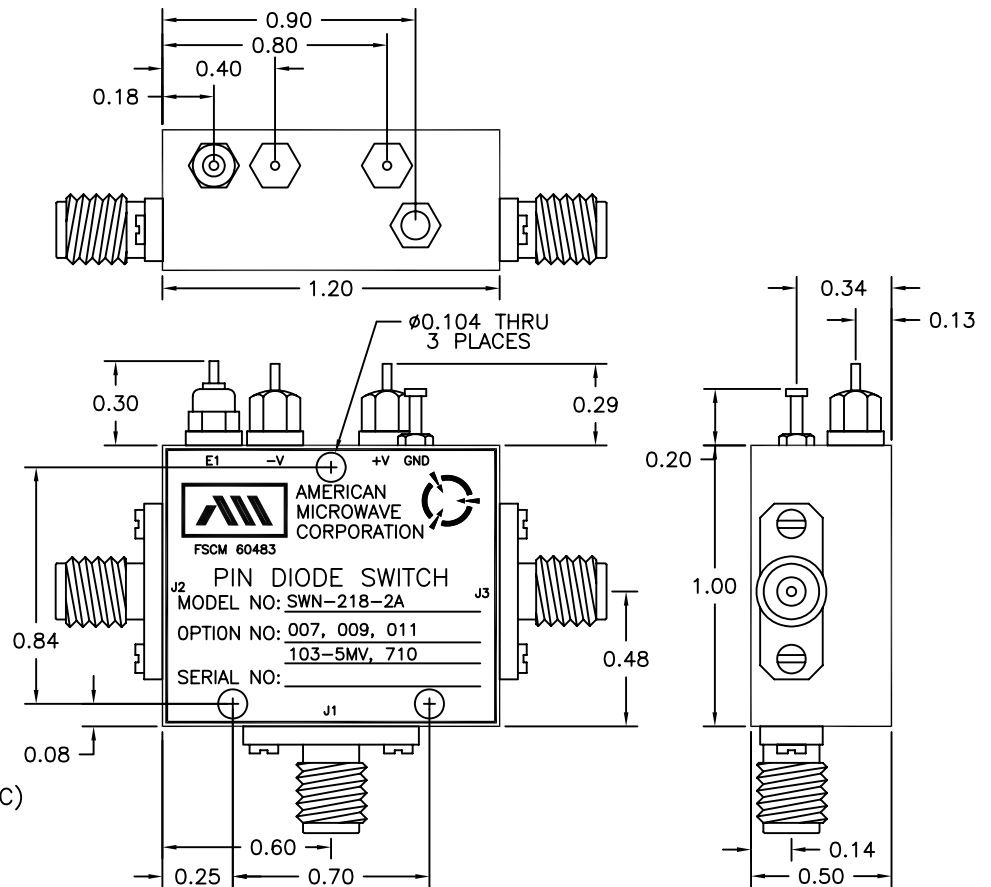
AMC MODEL SWN-218-2A OPTION 007, 009, 011, 710, 103-5MV IS A SPDT ABSORPTIVE (NON-REFLECTIVE) PIN DIODE SWITCH DESIGNED FOR THE 7 TO 10 GHz FREQUENCY RANGE WITH 3.5 DB INSERTION LOSS AND WITH VIDEO TRANSIENTS OF 5 MV PEAK TO PEAK.

### SPECIFICATIONS:

FREQUENCY RANGE: .....7 - 10 GHz  
 INSERTION LOSS: .....3.5 dB MAXIMUM  
 ISOLATION: .....53 dB MINIMUM  
 VSWR: .....2.0:1  
 RISE TIME: .....10 nSec MAXIMUM (10% RF TO 90% RF)  
 FALL TIME: .....10 nSec MAXIMUM (90% RF TO 10% RF)  
 DELAY ON: .....30 nSec MAXIMUM (50% TTL TO 90% RF)  
 DELAY OFF: .....30 nSec MAXIMUM (50% TTL TO 10% RF)  
 POWER HANDLING: .....+20 dBm, CW MAXIMUM  
 VIDEO TRANSIENT: .....5 mV PEAK TO PEAK MAXIMUM @ 20 MHz BANDWIDTH  
 DC POWER: .....+5 VDC ±5% @ 65 mA MAXIMUM  
                   .....-5 VDC ±5% @ 50 mA MAXIMUM  
 SIZE: .....1.20"(L) x 1.00"(W) x 0.50"(H)

### OPTIONS:

007: .....10 nS SWITCHING SPEED RISE AND FALL  
 009: .....30 nS DELAY ON AND OFF  
 011: .....OFF ARM TERMINATION  
 710: .....OPTIMIZED FOR 7 - 10 GHz (NGC P/N: 6867281 REV C)  
 103-5MV: .....VIDEO FILTER



### ENVIRONMENTAL RATINGS

- **TEMPERATURE:** .....-65°C TO +110°C (OPERATING)  
                           .....-65°C TO +125°C (NON-OPERATING)
- **HUMIDITY:** .....MIL-STD-202F, METHOD 103B COND. B
- **SHOCK:** .....MIL-STD-202F, METHOD 213B COND. B
- **VIBRATION:** .....MIL-STD-202F, METHOD 204D COND. B
- **ALTITUDE:** .....MIL-STD-202F, METHOD 105C COND. B
- **TEMPERATURE CYCLE:** .....MIL-STD-202F, METHOD 107D COND. A

NOTE: SPECIFICATIONS WILL VARY OVER OPERATING TEMPERATURE  
 NOTE: THE ABOVE SPECIFICATIONS ARE SUBJECT TO CHANGE OR REVISION

ALL DIMENSIONS ARE IN INCHES  
 TOLERANCES:  
 X.XX ±0.020  
 X.XXX ±0.010

### AMERICAN MICROWAVE CORPORATION

7311-G GROVE ROAD  
 FREDERICK, MARYLAND 21704 USA  
 TEL: 301-662-4700 FAX: 301-662-4938  
 WEBSITE: [www.americanmicrowavcorp.com](http://www.americanmicrowavcorp.com)  
 E-MAIL: [sales@americanmicrowavcorp.com](mailto:sales@americanmicrowavcorp.com)  
 ISO 9001:2000 CERTIFIED



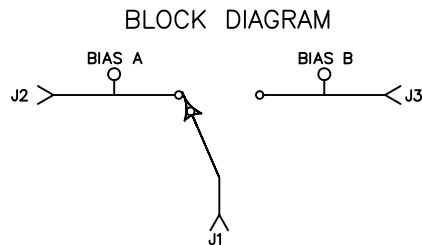
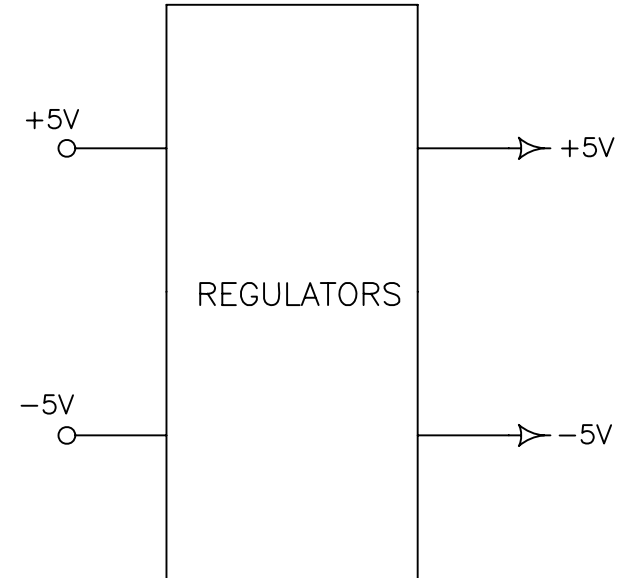
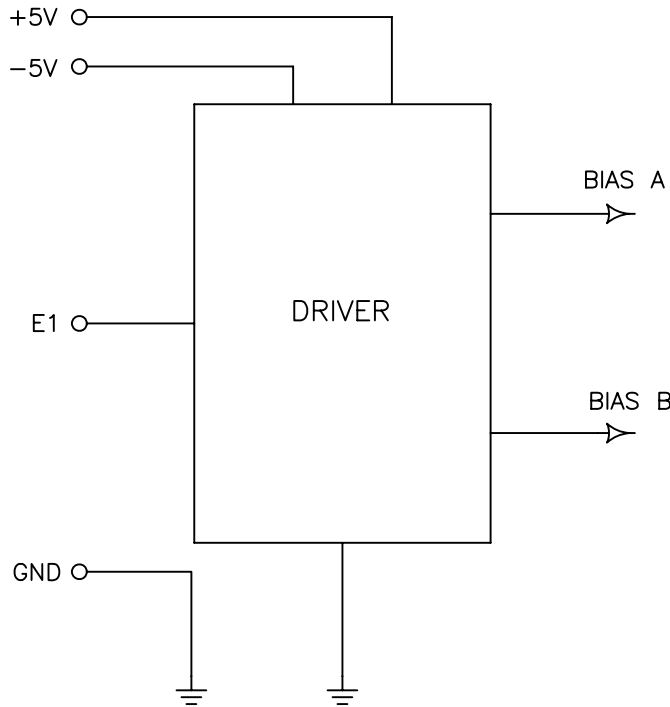
APPROVALS		DATE	TITLE		
DRAWN <i>WFLP</i>		12/19/06	PRODUCT FEATURE SWN-218-2A		
REDRAWN <i>RA</i>		12/19/06	OPTIONS: 007, 009, 011, 710, 103-5MV 7 TO 10 GHz SINGLE POLE TWO THROW SWITCH		
ISSUED			SIZE A	FSCM NO. 60483	DWG NO. 100-7734-000
SCALE N:S				SHEET 1 OF 4	

# DESCRIPTION

AMC MODEL SWN-218-2A OPTION 007, 009, 011, 710, 103-5MV IS A SPDT ABSORPTIVE (NON-REFLECTIVE) PIN DIODE SWITCH DESIGNED FOR THE 7 TO 10 GHz FREQUENCY RANGE WITH 3.5 DB INSERTION LOSS AND WITH VIDEO TRANSIENTS OF 5 MV PEAK TO PEAK.

REVISIONS				
ZONE	REV.	DESCRIPTION	DATE	APPROVED
	-	ORIGINAL RELEASE JOB# 605096	12/19/06	

# FUNCTIONAL BLOCK DIAGRAM



CONFIDENTIAL AND PROPRIETARY

## AMERICAN MICROWAVE CORPORATION

7311-G GROVE ROAD  
 FREDERICK, MARYLAND 21704 USA  
 TEL: 301-662-4700 FAX: 301-662-4938  
 WEBSITE: [www.americanmicrowavecorp.com](http://www.americanmicrowavecorp.com)  
 E-MAIL: [sales@americanmicrowavecorp.com](mailto:sales@americanmicrowavecorp.com)  
 ISO 9001:2000 CERTIFIED



APPROVALS		DATE	TITLE			
DRAWN <i>WFLS</i>		12/19/06	FUNCTIONAL BLOCK DIAGRAM SWN-218-2A			
REDRAWN <i>RA</i>		12/19/06	OPTIONS: 007, 009, 011, 710, 103-5MV 7 TO 10 GHz SINGLE POLE TWO THROW SWITCH			
ISSUED			SIZE A	FSCM NO. 60483	DWG NO. 100-7734-000	REV. -
			SCALE N:S	SHEET 3 OF 4		